

Pro-beam[®]

Verandahs | Carports | Flooring System



Form and Function

Stratco Pro-beam[®] fluted beams are strong structural members providing a rigid support for verandah roofing, carports and flooring. It is light yet strong, offering an economical and alternative to timber. Manufactured from hi-tensile coloured steel, Pro-beam is capable of spanning long, unsupported distances and will save you money by reducing the number of columns required.

Features

- Available in two sizes giving you design flexibility.
- The fluted beam design is made from hi-tensile steel making it strong, light and rigid over long spans.
- One piece roll form construction makes it less susceptible to corrosion and separation compared to two piece beams in the market, giving you longer life.
- Long patio spanning capabilities up to 7.2m (170x50mm).
- Available in six modern high gloss colours making it easy to suit the colour scheme around your home.
- Cut to length eliminating the need for on-site cutting, which makes the product easier and quicker to install.

Pro-beam Sizes

170 PRO-BEAM



140 PRO-BEAM

Pro-beam[®] Verandahs | Carports | Flooring System

Specifications

Manufactured from hi-tensile steel, Stratco Pro-beam is engineered and tested to comply with Australian Standard 1397/G550. Major components are made from strong high tensile steel, while the fixings and brackets are galvanised for a long, useable life.

Pro-beam Specifications

	140 Pro-beam	170 Pro-beam
Base Metal Thickness	1.0mm	1.2mm
Yield Strength	550MPa	550MPa
Mass	3.68kg/m	5.00kg/m

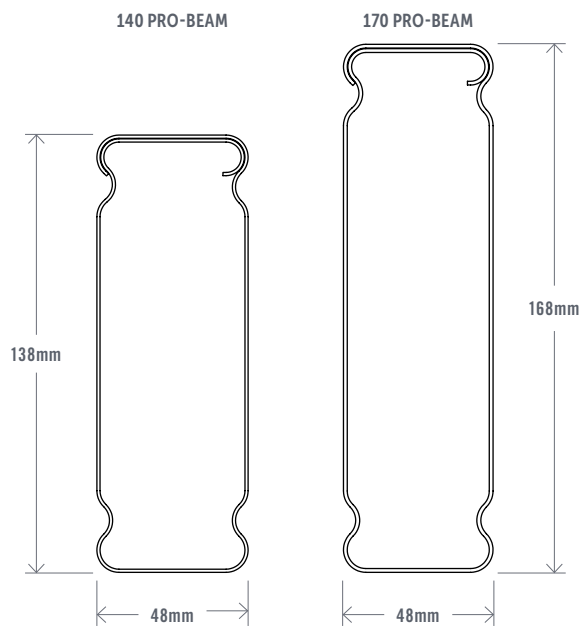
**Refer to Stratco Sanctuary Span Tables for design and spanning details.*

Colour Availability

	140 Pro-beam	170 Pro-beam
Galvanised	●	
Ebony	●	●
Gun Metal Grey	●	●
Merino	●	●
Smooth Cream	●	●
Thredbo White	●	●

**Colours are state specific and availability varies. Please check before ordering.*

Profile



Components

BEAM BRACKET

Fastens a beam directly to another beam or a column.



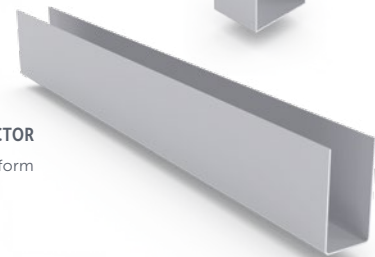
SUSPENSION BRACKET

Replaces the beam bracket when a beam is suspended from the fascia.



BEAM INLINE CONNECTOR

Joins beams flush to form a continuous beam.



◀ SCAN THIS QR CODE TO FIND A STRATCO NEAR YOU

1300 155 155
stratco.com.au

All brands and logos/images accompanied by © or ™ are trade marks of Stratco (Australia) Pty Limited. © Copyright July 2013

How To.



Additional Information: Consult your nearest Stratco store and sales office for availability and lead times. Maintenance should be performed as often as possible to remove any dirt, salt and pollutants. Refer to the Stratco 'Selection, Use and Maintenance' brochure and relevant installation guides for more detailed information about the correct use and maintenance of this product.